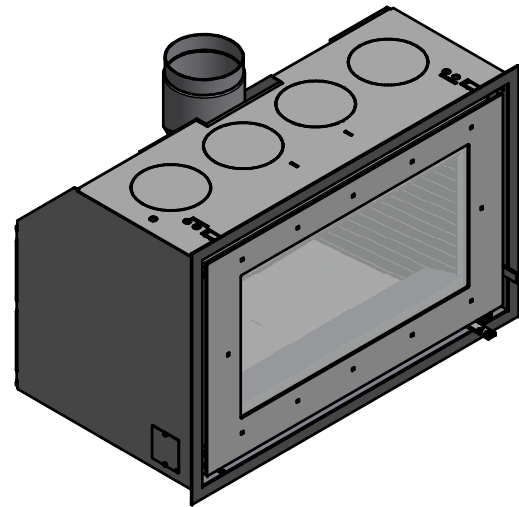
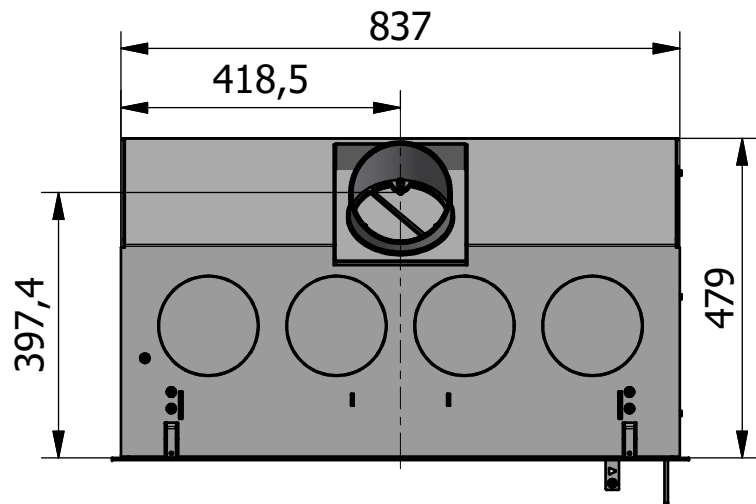
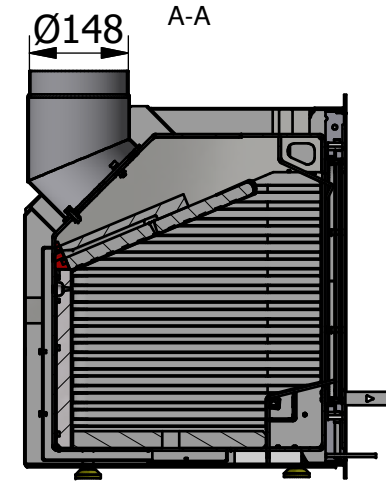
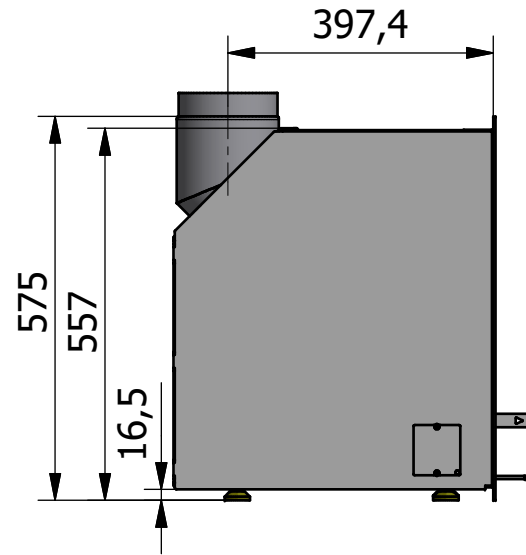
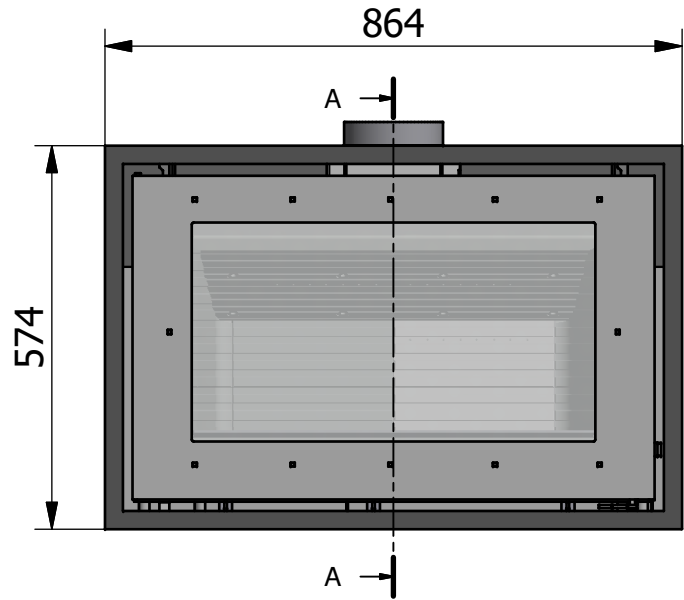

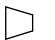



ITEM	QTY	PART NUMBER	TITLE	Thk x L x W
1	1	71090	RAIS 700	
2	1	7091301sv	Special adapter	



TILLADTE AFVIGELSER FOR LINIEÆRE MÅL						
0.5-3	3-6	6-30	30-120	120-400	400-1000	1000-2000
± 0.1	± 0.1	± 0.2	± 0.3	± 0.5	± 0.8	± 1.2
TILLADTE AFVIGELSER FOR VINKELMÅL						
KORTESTE SIDE	0-10	10-50	50-120	120-400	> 400	
VINKELAFVIGELSE	± 1°	± 0-30°	± 0-20°	± 0-10°	± 0-5°	
AFVIGELSE I MM						
pr. 100 mm	± 1.8	± 0.9	± 0.6	± 0.3	± 0.15	

D M Y	Corrections:			
Change order		Designer: ksj	Project manager:	Approved:
Drawing change: Improvement proposal:		Established: 12-09-2022	 	Format: A3
 RAIS <small>ART OF FIRE</small> INDUSTRIVEJ 20, 9900 FREDERIKSHAVN, DENMARK Phone +45 98 47 90 33 - Fax +45 98 47 92 91 E-mail: info@rais.dk - Homepage: www.rais.dk		Bend Tool: ov uv	Remarks:	
		Material:		
Drawing name: Rais 700 Dimensional drawing				
Project: R700	Part of:	Revision: -	Drawing no.: 7106402	

Rais 700

7106401

