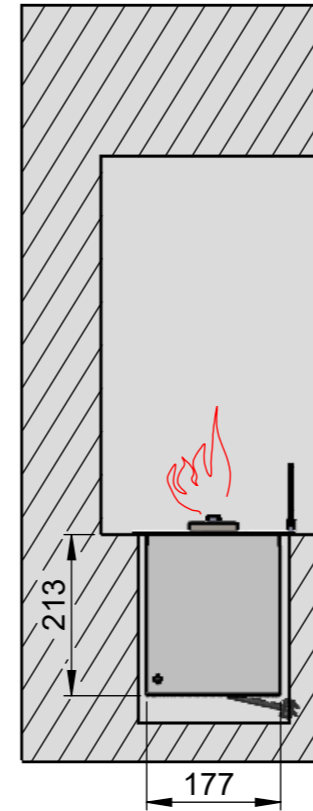
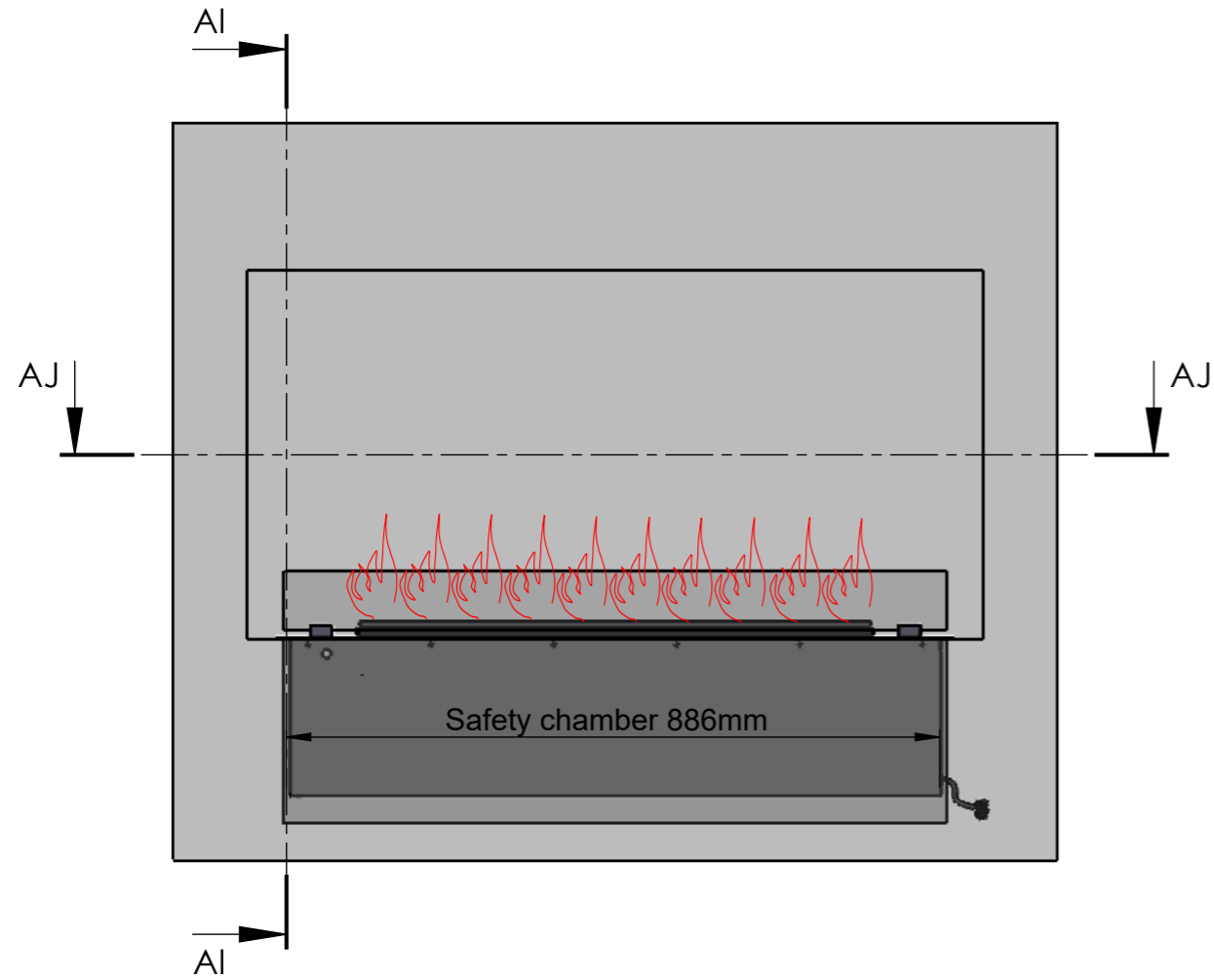
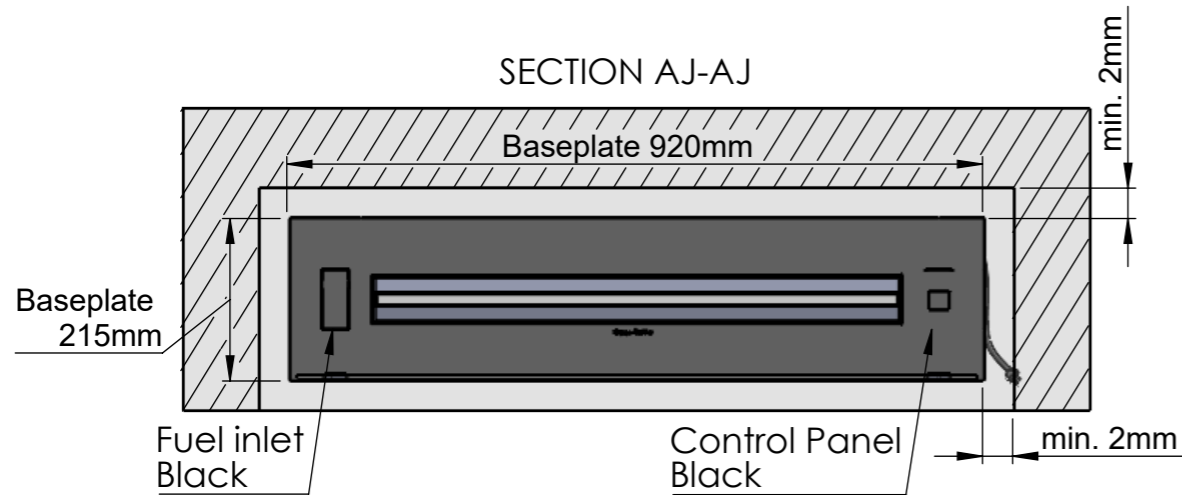


Hybrid Mist 920

Flame Tray 700mm
 With remote control
 and three flame levels
 With 1x 80mm low glass



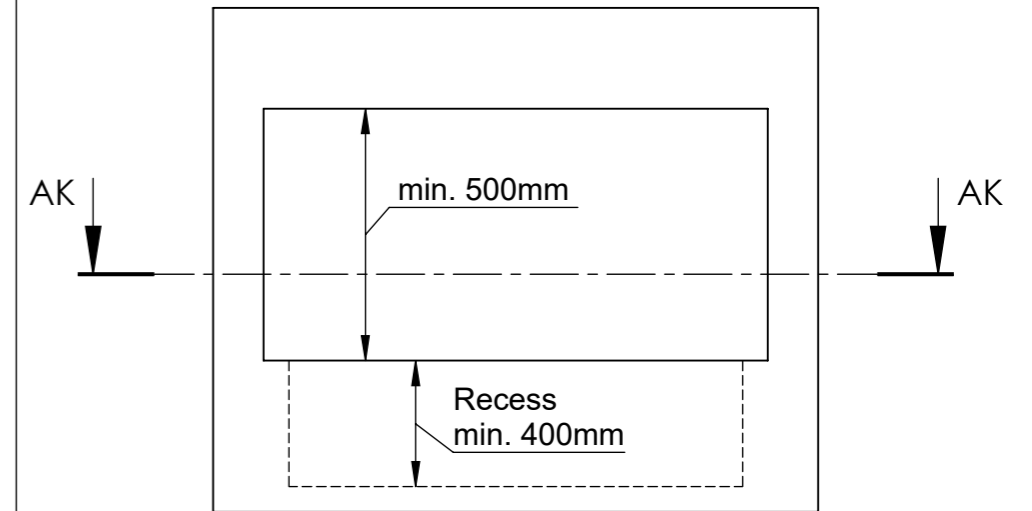
SECTION AI-AI



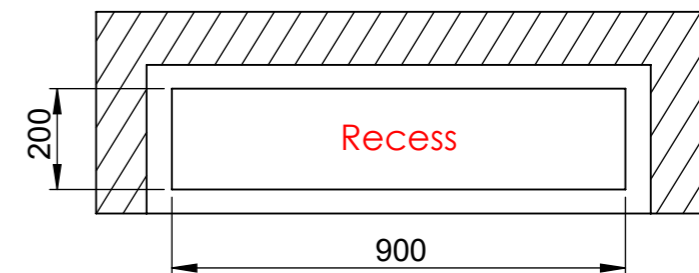
SECTION AJ-AJ

Mounting if top plate is to rest on top of surrounding surface
 Note: base plate can get hot! Ensure that the surrounding surface can withstand a temperature of around 50 degrees C.


Wall cut-out dimensions



SECTION AK-AK
 SCALE 1 : 15

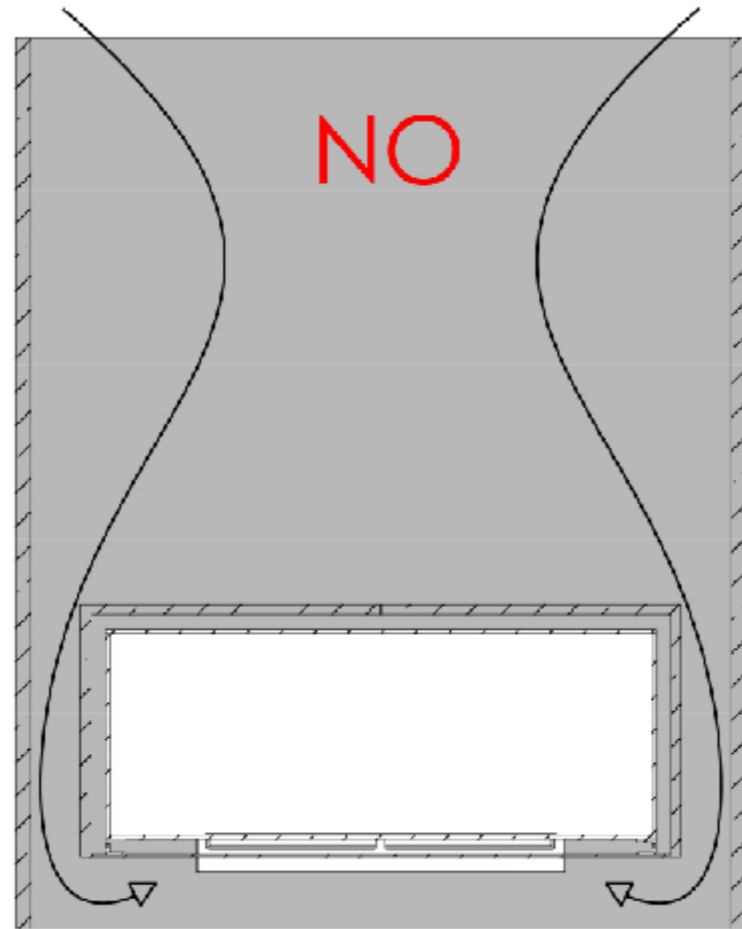


Please Note, if using the minimum required dimensions for the wall cut-out, the wall in front of the safety chamber becomes very thin, only 7,5mm.

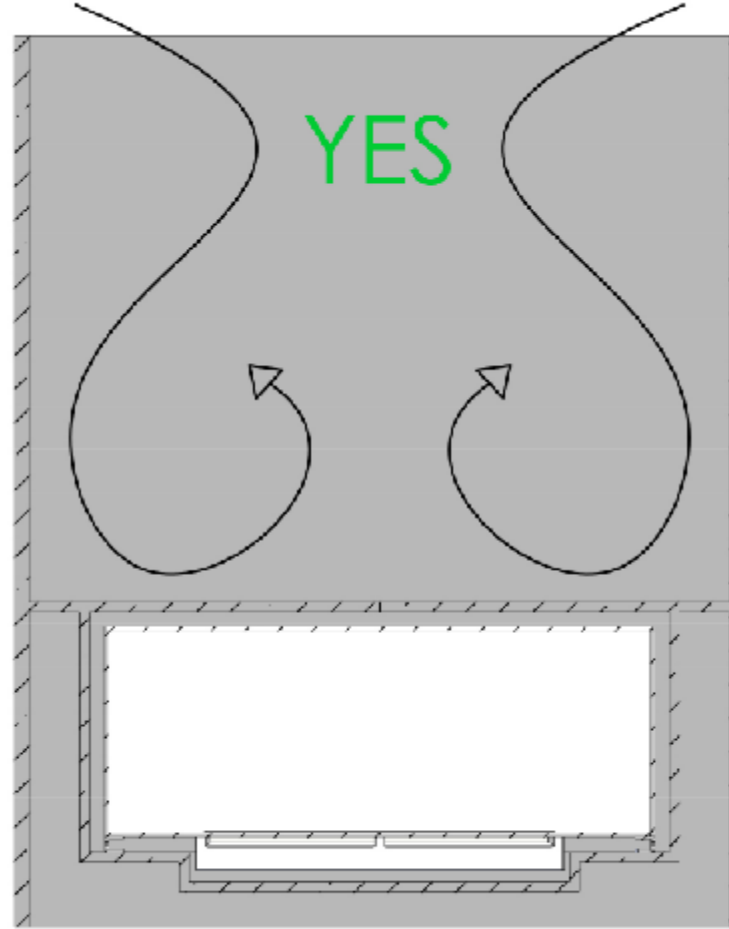
Dimensions are in millimeters		Decoflame Aps Vang Mark 2 9380 Vestbjerg Denmark Tlf: +45 9630 4800		SCALE: 1:10
Date	22-06-2023			FORMAT: A3
REVISION:		bestilling@decoflame.dk		Page 1 OF 2
Author:	TTK	Order Number - Customer - Reference: PRINCIPLE Hybrid Mist 920 FT700 - 920x215x213mm - 1x glass		
Copyright of Decoflame ApS Denmark, whose property this document remains. No part thereof may be disclosed, copied, duplicated or in any other way made use of, except with the approval of Decoflame ApS.		Customer Approval Signature - Date		

IMPORTANT INFORMATION

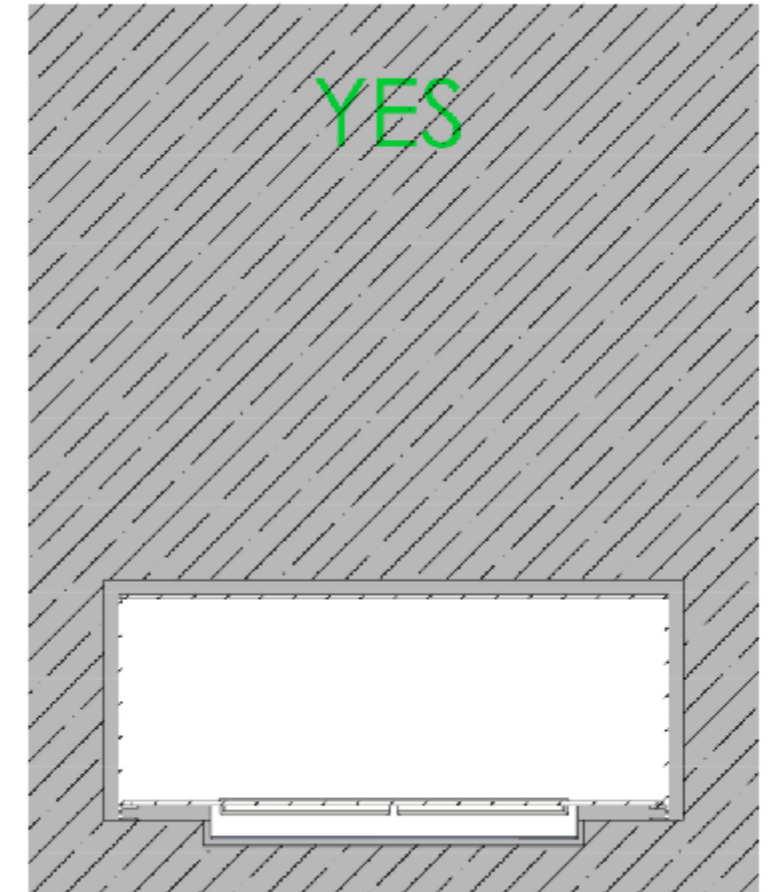
Particulars of the wall in which the fireplace shall be installed




DO NOT! install the fireplace in a wall construction which is open above and below the fireplace. The warm air will cause turbulences inside this hollow construction which will have a negative impact on the flames.



DO! install the fireplace in an open-wall construction, which is closed above and below the fireplace. Make sure to create a closed cavity for the section below the base plate of the fire.



DO! install the fireplace in a massive wall (made of bricks, stone or gas beton) using the wall cut-out dimensions mentioned on the previous page.

Dimensions are in millimeters		Decoflame ApS Vang Mark 2 9380 Vestbjerg Denmark Tlf: +45 9630 4800 	SCALE: 1:10
Date	22-06-2023		bestilling@decoflame.dk
REVISION:		Order Number - Customer - Reference:	Page 2 OF 2
Author:	TTK	PRINCIPLE Hybrid Mist 920 FT700 - 920x215x213mm - 1x glass	
Copyright of Decoflame ApS Denmark, whose property this document remains. No part thereof may be disclosed, copied, duplicated or in any other way made use of, except with the approval of Decoflame ApS.		Customer Approval Signature - Date	