

Fuel Pump included

Decoflame's automatic pump ensures easy and safe refilling of bioethanol, enhancing convenience and safety.

Remote control included

With Decoflame's remote control, operating the electronic fireplace is simplified - it's intuitive for a great user experience.

App Control for IOS and Android

With 3 levels, the Denver F3 is a simplified burner that is easy to operate—perfect when simplicity is key.

MODEL	F6 620	F6 720	F6 920	F6 1120
Size in mm	Topplate: L: 620mm D: 215mm Bottom box: L: 600mm H: 160mm incl. topplate D: 190mm	Topplate: L: 720mm D: 215mm Bottom box: L: 700mm H: 160mm incl. topplate D: 190mm	Topplate: L: 920mm D: 215mm Bottom box: L: 900mm H: 160mm incl. topplate D: 190mm	Topplate: L: 1120mm D: 215mm Bottom box: L: 1100mm H: 160mm incl. topplate D: 190mm
Flame tray size, mm	400	500	700	900
Capacity, liters	3.8L	4L	5.8L	7.2L
Burning time, hours	8.0 - 23.0	7.0 - 20.0	7.5 - 20.8	7.3 - 20.0
Heat output, kWh	0.9-2.6	1.2 - 3.2	1.6 - 4.3	2.1 - 5.7
Net weight, kg	13	15	19	21
Min. room size, m ²	18	23	32	41

GENEREL INFORMATION

Produced in	Denmark
Flame levels	3 flamelevels
Sensors	Temperature/Fuel Level/Spillage
Powersupply	230 V
Fuel Type	Bioethanol 95 - 96.5 %
Flue	Not required
No internal pump	No noise, reduced maintenance, increased reliability
Finish	Black powder-coating
Finish top-plate	2mm black powder-coated steel
Glass	Tempered glass, T6mm H70mm The glass is placed in customised glassholders
Application	Indoor use only

Decoflame's Denver F3 bio burner is offered in four standard sizes that range from 620mm to 1120mm, and are designed and manufactured locally at Decoflame. This burner is equipped with three simple flame stages that can be easily and quickly adjusted, without the need to worry about advanced technical functions.

With its user-friendly operation and the possibility to choose between several sizes, the Denver F3 fits perfectly for both smaller and larger construction projects. The burner is equipped with built-in safety functions and comes with an automated filling pump that ensures problem-free filling of the tank.

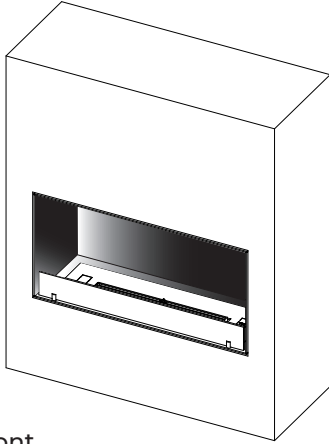
The Denver F3 represents a reliable and practical solution for those who do not need advanced advanced functionalities, but still want high quality and reliability in their bio fireplace.

BIOETHANOL

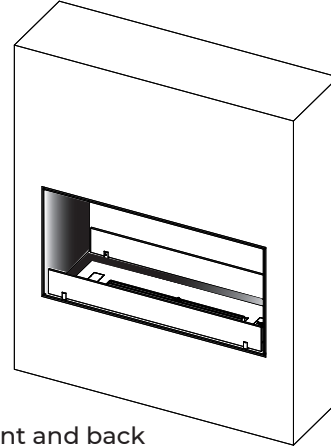
For use and information about bioethanol, please visit: decoflame.com.

Please be aware that bioethanol is essential to a proper use and gurantee of your product.

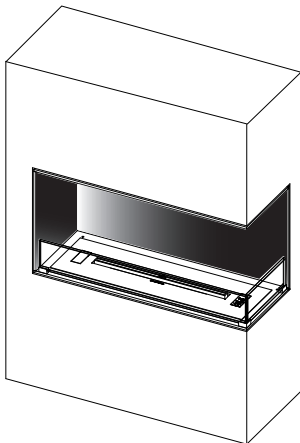
DENVER F3 CAN BE INSTALLED IN
VARIOUS CONSTRUCTION OPTIONS. EG:



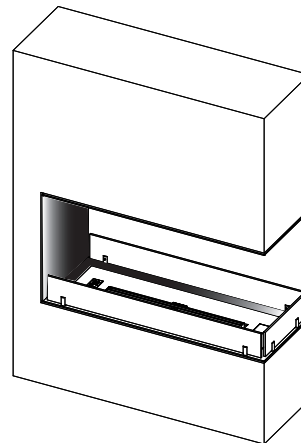
Open to front



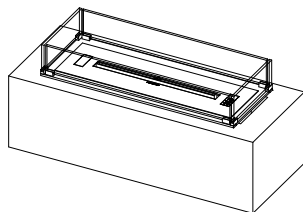
Open to front and back



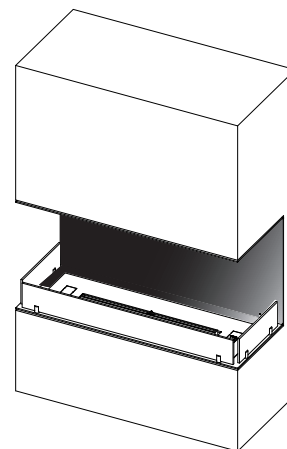
Open to front and 1 side (Left or right)



Open to front, back and 1 side (Left or right)



Single standing



Open to front and 2 sides